



100 Royal Way
 Temple, GA 30179
 Phone (800) 520-6593

SPECIFICATION DATA SHEET

Date: 12/4/2007

MODEL No. 244/244R/244L
 Center, Right, or Left End
 Register Boot

DIMENSIONAL DATA

A	B	C
Register	Collar	Total Height
2x10	4	6 1/2
2x10	5	7 1/7
2x10	6	8 1/2
2x12	6	8 1/2
2x12	7	9 1/2
4 x 8	5	7 1/2
4x10	4	6 1/2
4x10	5	7 1/2
4x10	6	8 1/2
4x10	7	9 1/2
4x12	6	8 1/2
4x12	8	10 1/2
4x14	6	8 1/2
4x14	7	9 1/2
6x10	4	6 1/2
6x10	5	7 1/2
6x10	6	8 1/2
6x10	7	9 1/2
6x10	8	10 1/2
6x12	6	8 1/2
6x12	7	9 1/2
6x12	8	10 1/2
6x14	6	8 1/2
6x14	7	9 1/2
6x14	8	10 1/2

FABRICATION DATA

Material:

ASTM-A653 CS Type B Galvanized Steel, 30GA
 G-30 Coating LFLQ Chemical Treatment

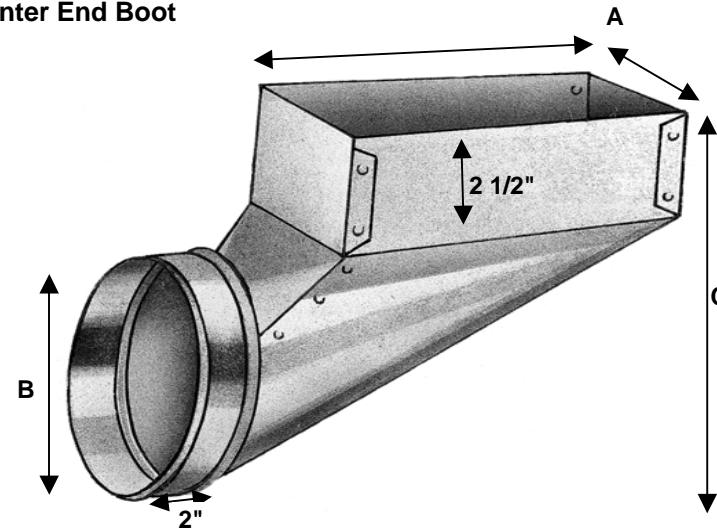
Assembly:

Assembled with 1/8" x 5/32" Zinc Coated Steel Rivets

244: An 1/8" hem on both collar and register openings. A Royal plaster frame may be used to hang the boot in a ceiling mount.

244F: A 1" Outboard flange around the perimeter of the register opening with a 5/8" drywall edge. Royal boot rails may be used to hang the boot

Model 244 Center End Boot



Accessories:

Plaster Frame

Available in 24" and 26" length



Accessories:

Boot Rails

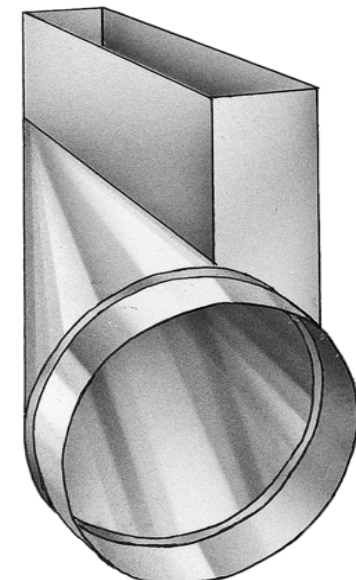
Available in 24" and 26" length

Item# 100324 (24")

Item# 100326 (26")



Model 244R/L (244R Shown)
 Left or Right End Register Boot



Superior Quality, Superior Service, Superior Value.. that's the Royal Advantage

in a ceiling mount.

Superior Quality, Superior Service, Superior Value.. that's the Royal Advantage



**Model 244R/L (244R Shown)
Left or Right End Register Boot**

Superior Quality, Superior Service, Superior Value.. that's the Royal Advantage

Superior Quality, Superior Service, Superior Value.. that's the Royal Advantage