



100 Royal Way
Temple, GA 30179
Phone (800) 520-6593

SPECIFICATION DATA SHEET

Date: 6/12/2009

MODEL No. 309-S Side Takeoff

DIMENSIONAL DATA

<u>A</u>	<u>B</u>	<u>C</u>
4	4	4
5	5	5
6	6	6
7	7	7
8	8	8
9	9	9
10	10	10
12	12	12
14	14	14

FABRICATION DATA

Material:

ASTM-A653 CS Type B Galvanized Steel
G-30 Coating LFQ Chemical Treatment

Gauges:

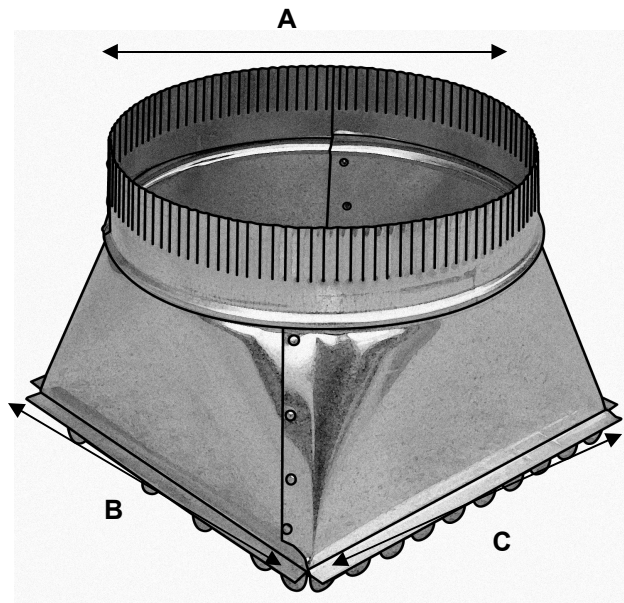
4 - 9" 30GA
10 - 14" 28GA

Assembly:

Assembled with 1/8" x 5/32" Zinc coated Steel Rivets.
Tabs are 3/4" long to be used with metal. The collar is attached by using a colatch bead system.

OPTIONS

309SG: With Gasket
309SDG: With Damper & Gasket
309SDB: For Ductboard



Superior Quality, Superior Service, Superior Value.. that's the Royal Advantage