



100 Royal Way  
Temple, GA 30179  
Phone (800) 520-6593

## SPECIFICATION DATA SHEET

Date: 1/3/2008

## MODEL No. 310 Starting Collar with Damper for Metal

### DIMENSIONAL DATA

SIZES AVAILABLE: 4" THROUGH 24" DIAMETER

### Standard Gauge:

4" through 24" 30GA Galvanized Steel

### FABRICATION DATA

#### **Material:**

ASTM-A653 CS Type B Galvanized Steel,  
G-30 Coating LFQ Chemical Treatment

#### **Assembly:**

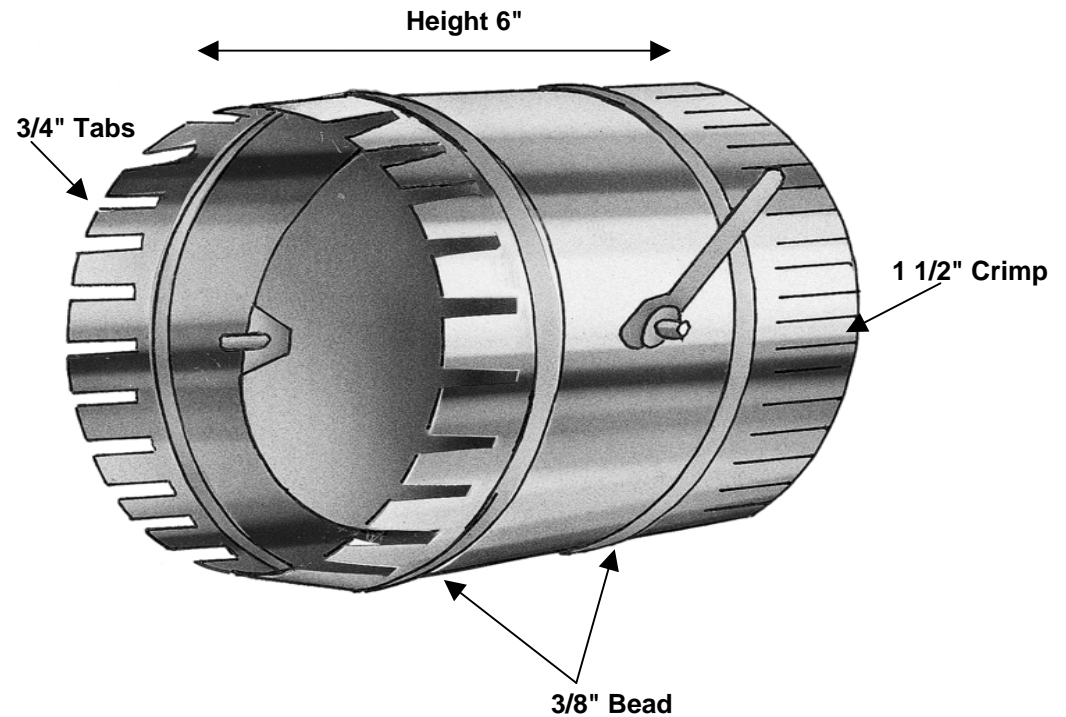
Starting Collars are assembled with 1/8" x 1/8" Zinc  
Coated Steel Rivets

#### **Collar:**

Rolled formed and features 1 1/2 crimp and 3/8" Convex  
Bead(s) for Branch Duct Connection

#### **Damper:**

Duro Dyne Rapit Regulator 5 piece w/ handle



Superior Quality, Superior Service, Superior Value.. that's the Royal Advantage

**1 1/2" Crimp**

**Superior Quality, Superior Service, Superior Value.. that's the Royal Advantage**