



100 Royal Way
 Temple, GA 30179
 Phone (800) 520-6593

SPECIFICATION DATA SHEET

Date:10/6/2009

**MODEL No. 501
 Top Outlet Insulated
 Box**

DIMENSIONAL DATA

<u>Register Size AxB</u>	<u>Collar Size</u>	<u>R4 Actual Dimensions</u>		<u>R6/R8 Actual Dimension</u>	
		<u>AxB</u>	<u>Height</u>	<u>AxB</u>	<u>Height</u>
8x4	4, 5	10x6	6	11x7	6
10x6	5, 6	12x8	6	13x9	6
12x6	6, 7	14x8	6	15x9	6
12x8	8	14x10	6	15x11	6
14x6	8	16x8	6	17x9	6

FABRICATION DATA

Material:

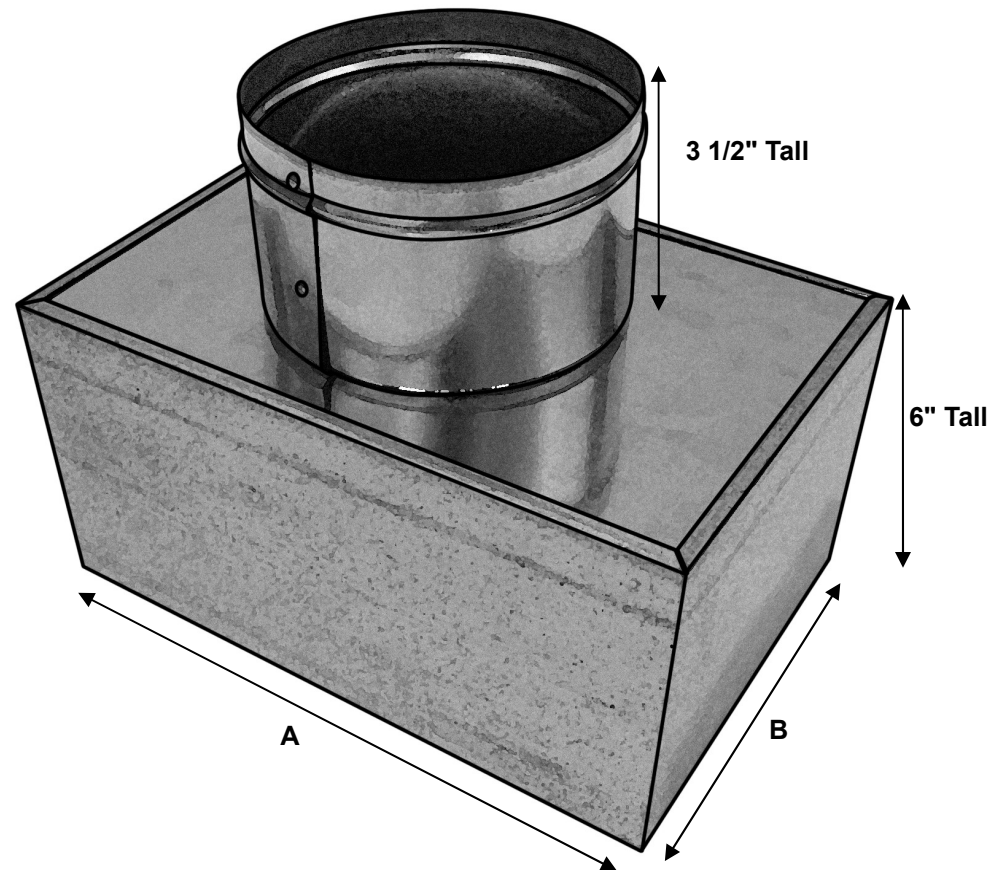
ASTM-A653 CS Type B Galvanized Steel,
 G-30 Coating LFQ Chemical Treatment

Insulation:

Linacoustic RC manufactured by Johns Manville.
 Available Thickness: R4 - 1", R6 - 1 1/2", & R8 - 2"
 Specs available upon request

Assembly:

Ceiling Boot assembled with 1/8" x 5/32" Zinc Coated Steel Rivets and has a rectangular opening with a 1/2" Drywall Flange. The collar is 3 1/2" tall roll formed 30GA Steel with 1/4" Bead for flex attachment. Collar has 1/8" finished hem.



Superior Quality, Superior Service, Superior Value.. that's the Royal Advantage