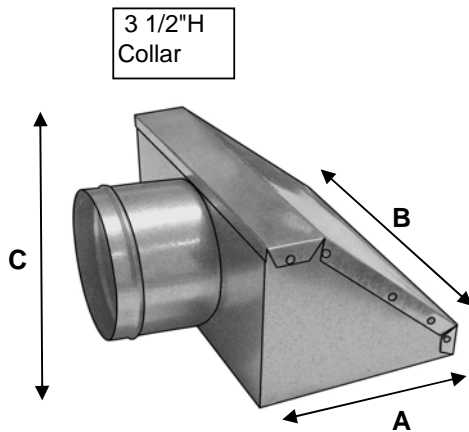




**INSULATED 45° SLANT TOP BOX WITH FLG
& SIDE OUTLET
MODEL: 507E**



Model 507E R-4

Register Size	Collar Size	A	B	C
8" x 4"	5"	6"	10"	9 5/8
10" x 4"	4", 5", 6"	6"	12"	9 3/4
10" x 6"	5", 6", 7"	8"	12"	8 1/4
12" x 4"	7"	6"	14"	10 3/8
12" x 6"	6", 7"	8"	14"	9 3/8
14" x 4"	8"	6"	16"	11 1/2
14" x 6"	8"	8"	16"	11

Fabrication

Material: ASTM-A653 CS Type B, 30Ga. Galvanized Steel
Box is Internally Insulated with 1" Rigid Duct Liner

Outer Box Model 507E Rectangular Opening has a 1/2" Drywall Flange

Collar: 3 1/2" H Roll Formed 30 Ga. Galvanized Steel with Roll Formed .25" Beading

Assembly: Ceiling Boot assembled with 1/8" x 5/32" Zinc Coated Steel Rivets