



100 Royal Way
Temple, GA 30179
Phone (800) 520-6593

SPECIFICATION DATA SHEET

Date:3-5-14

MODEL No. 1004 CRD MOUNTING RAIL

DIMENSIONAL DATA

3/4" x 3/4" - 26" 16GA

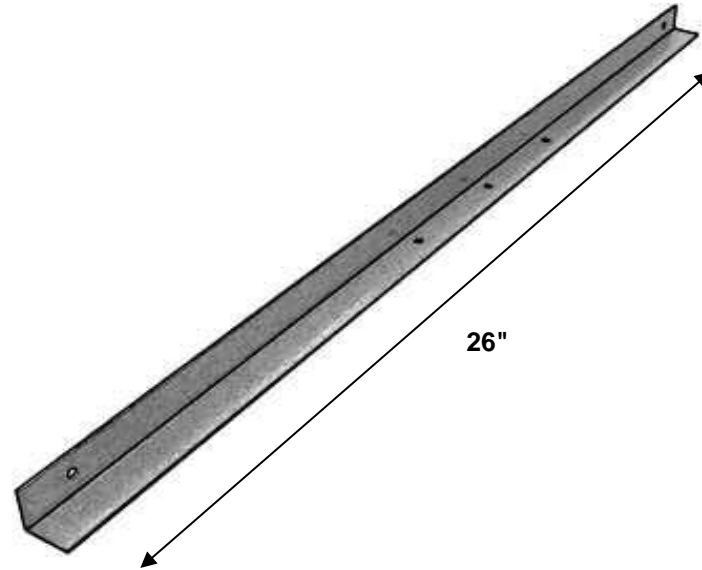
FABRICATION DATA

Material:

ASTM-A653 CS Type B Galvanized Steel,
G-30 Coating LFQ Chemical Treatment

Gauge: 16GA

Options:



Superior Quality, Superior Service, Superior Value.. that's the Royal Advantage