



**CEILING RADIATION DAMPER
FOR WOOD TRUSS CEILING
ASSEMBLIES. ETL CLASSIFIED
UL263/E119.INSULATED REGISTER
BOX • SIDE INLET MODEL: 509RD**



QUALIFICATIONS:

- ETL CLASSIFIED UL263/E119 CEILING DAMPER.
- 1 hour rated for use in floor/ceiling design numbers L550/L562/L574/L579/L585/M503,L563,L546,L521, L528/L530/L570/L579/L586/P548 and roof/ceiling design numbers P531/P538/P545/P522/P552/P533/P544
- Meets NFPA 90A requirements

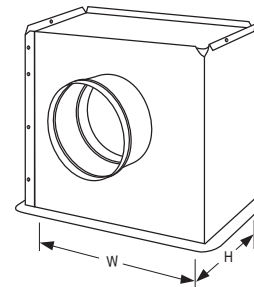
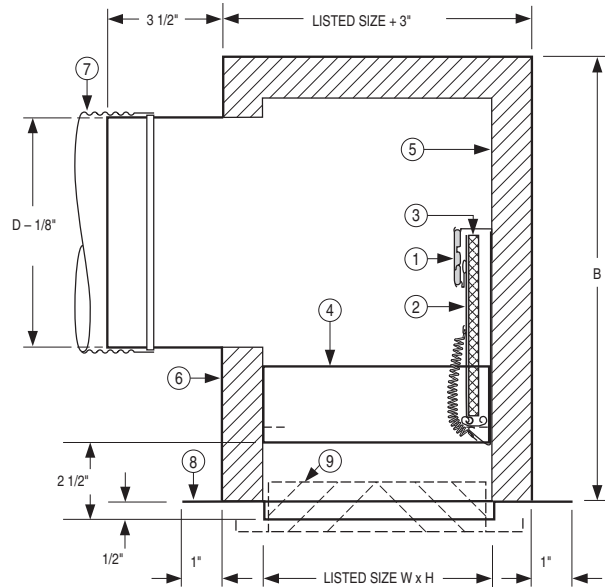
DESCRIPTION:

Ceiling dampers are designed to function as a heat barrier in air handling openings penetrating fire resistive membrane ceilings. The model 509 has been especially designed to provide protection and simple installation inspecific design wood truss ceiling assemblies.

The 509 assembly consists of a rectangular ceiling damper recessed in an internally insulated sheet metal register box (boot) with a round 90° side inlet collar, that accommodates a steel grille or register.

CONSTRUCTION:

1. Listed fusible link, 212°F (100°C) standard.
2. Blade: 21 ga. G60 roll-formed galvanized steel.
3. Blade Insulation: Non-asbestos Classified.
4. Damper frame: 21 ga. G60 galvanized steel.
5. Internal Insulation: 1 1/2" thick. R-Value 6.3.
6. Steel plenum: 24 ga.max. with round connection collar
7. Classified Class 0 or I Flexible Air Duct connectionby others.
8. Plaster flange: 1" wide by 1/2" deep
9. Steel grille / register (by others). Standard depth for grille clearance is 2 1/2".



OPTION:

1. Non-standard temp.Listed fusible link
 - 165 165°F (74°C)
2. Installation Support Angles. 26" (660) long.
 - 2 @ Standard boot rail
 - 2 @ 3/4" x 3/4" x 16 ga
3. Plaster flange avail. 1" wide by 1" deep.
4. Avail. in R4, R6, & R8 ins.

Available Uninsulated..

NOTE:

Building code and Classification require damper installation in accordance with manufacturer's instructions

Max 144 square inches (can not exceed 14" in one dimension).

Dimensions are in inches

Dimensional Data:

Common Sizes		B
W x H	Nom. Duct Size D	
8 x 4	4", 5" dia.	12
10 x 4	4", 5", 6" dia.	
12 x 4	6", 7", 8" dia.	
8 x 6	6" dia.	12
10 x 6	5", 6", 7" dia.	
12 x 6	6", 7", 8", 9" dia.	
8 x 8	5", 6" dia.	12
10 x 8	7", 8" dia.	
12 x 8	7", 8" dia.	
10 x 10	7", 8" dia.	12
12 x 12	8" dia.	
		9", 10" dia.

W x H = Nominal Grille / Register Size

MODEL 509RD