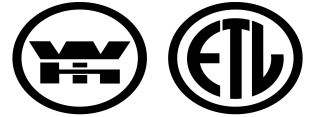




CEILING RADIATION DAMPER
 FOR WOOD TRUSS CEILING ASSEMBLIES.
 ETL CLASSIFIED UL263/E119.
 DUCTED • STEEL PLENUM • SIDE INLET(S)
MODEL: 556RDD



Intertek

QUALIFICATIONS:

- ETL CLASSIFIED ASTME119/UL263 CEILING DAMPER.
- 1 hour rated for use in floor/ceiling design numbers L550/L562/L574/L579/L585/M503/L563/L546/521/528/L530/L570/L586 and roof/ceiling design numbers P531/P538/P545/P522/P552/P533/P544/P548.
- Meets NFPA 90A requirements

DESCRIPTION:

Ceiling dampers are designed to function as a heat barrier in air handling openings penetrating fire resistive membrane ceilings. Model 556RDD has been especially designed to provide protection and simple installation in specific design wood truss ceiling assemblies.

Model 556RDD is designed for installation in the supply (or return) ductwork take-off from an AHU where it penetrates the ceiling and provides a single or multiple-outlet (up to three) plenum to feed 556RD/grille or diffuser assemblies. May also be used as a return.

CONSTRUCTION:

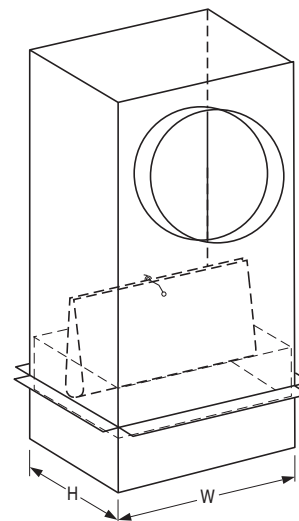
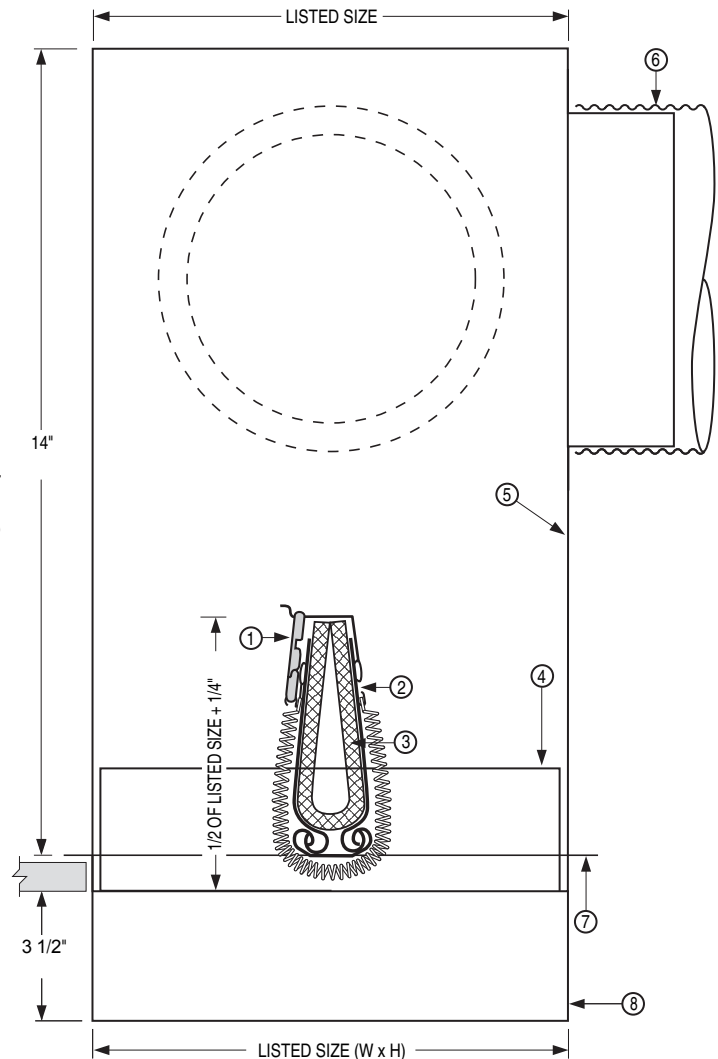
1. Listed fusible link, 212°F (100°C) standard.
2. Blades: 21 ga. G60 roll-formed galvanized steel.
3. Blade Insulation: Non-asbestos Classified.
4. Damper frame: 21 ga. G60 galvanized steel.
5. Steel plenum/sub-frame: 24 ga. max. with round connection collar(s). Maximum of three.
6. Classified Class 0 or I Flexible Air Duct connection by others.
7. Plaster flange customized to flange or sleeve.
8. Damper sleeve is extended below ceiling for ducted connection. Damper is mounted in sub-frame to be flush with ceiling when installed.

OPTIONS:

1. Non-standard temp. listed fusible link 165°F (74°C)
2. Installation Support Angles. 26" long. ISB 2 @ 3/4" x 3/4" x 16 ga. Adjustable Std. Boot Rail

NOTES:

Minimum Size: 4"x4" Maximum
Size: 144 sq. Inches



Dimensions are in inches

MODEL 556RDD